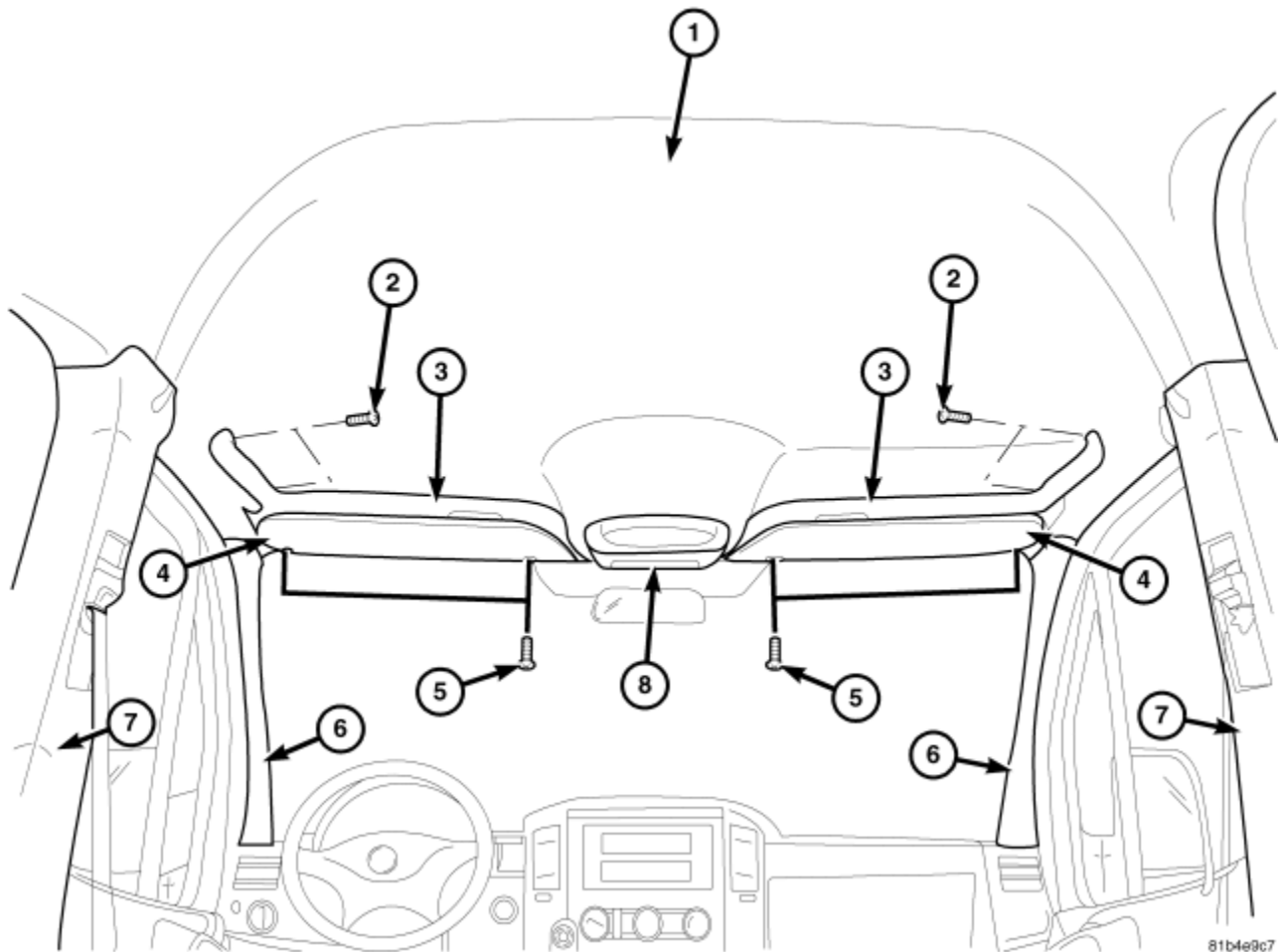


REMOVAL

Cab Section



1. Remove the a-pillar trim (6), ([Refer to 23 - BODY/INTERIOR/A-PILLAR TRIM - REMOVAL](#))
2. Remove the sun visors (4) and the storage trays (3).
3. Remove the B-pillar trim. ([Refer to 23 - BODY/INTERIOR/B-PILLAR TRIM - REMOVAL](#))
4. Remove the dome light.

5. Carefully separate the headliner (1) and remove.

Number 2 Section

1. Disconnect and isolate battery negative cable.
2. Remove the second and third row seats. ([Refer to 23 - BODY/SEATS/SEAT - REAR - REMOVAL](#))

NOTE: If vehicle is not equipped with rear air conditioning unit, skip to step 8.

3. Remove the push pin fasteners and remove the rear air front duct cover.
4. Disconnect the electrical connector at front of cover.
5. Remove the push pin fasteners and remove the rear air middle duct cover.
6. Disconnect the electrical connector.
7. Remove the three push-pins and three screws and remove the rear air cover.
8. Remove the duct work.
9. Release clips at front and rear of headliner and remove.

Number 3 Section

1. Disconnect and isolate battery negative cable.
2. Remove the third and fourth row seats. ([Refer to 23 - BODY/SEATS/SEAT - REAR - REMOVAL](#))

NOTE: If vehicle is not equipped with rear air conditioning unit, skip to step 8.

3. Remove the push pin fasteners and remove the rear air front duct cover.
4. Disconnect the electrical connector at front of cover.
5. Remove the push pin fasteners and remove the rear air middle duct cover.
6. Disconnect the electrical connector.
7. Remove the three push-pins and three screws and remove the rear air cover.
8. Remove the duct work.
9. Release clips at front and rear of headliner and remove.

Number 4 Section

1. Disconnect and isolate battery negative cable.

2. Remove the third and fourth row seats. ([Refer to 23 - BODY/SEATS/SEAT - REAR - REMOVAL](#))

NOTE: If vehicle is not equipped with rear air conditioning unit, skip to step 8.

3. Remove the push pin fasteners and remove the rear air front duct cover.
4. Disconnect the electrical connector at front of cover.
5. Remove the push pin fasteners and remove the rear air middle duct cover.
6. Disconnect the electrical connector.
7. Remove the three push-pins and three screws and remove the rear air cover.
8. Remove the duct work.
9. Release clips at front and rear of headliner and remove.

Number 2 Section

1. Position the headliner in vehicle and seat fully.

NOTE: If vehicle is not equipped with rear air conditioning unit, skip to step 8.

2. Install rear air unit duct work.
3. Install the rear air unit rear cover and install the three screws and push-pins.
4. Connect the electrical connector and install the middle duct work cover.
5. Install the push pin fasteners.
6. Connect the electrical connector and install the front duct work cover.
7. Install the push pin fasteners.
8. Install the second and third row seats. ([Refer to 23 - BODY/SEATS/SEAT - INSTALLATION](#))
9. Connect battery negative cable.

Number 3 Section

1. Position the headliner in vehicle and seat fully.

NOTE: If vehicle is not equipped with rear air conditioning unit, skip to step 8.

2. Install rear air unit duct work.
3. Install the rear air unit rear cover and install the three screws and push-pins.
4. Connect the electrical connector and install the middle duct work cover.
5. Install the push pin fasteners.
6. Connect the electrical connector and install the front duct work cover.
7. Install the push pin fasteners.
8. Install the third and fourth row seats. ([Refer to 23 - BODY/SEATS/SEAT - INSTALLATION](#))
9. Connect battery negative cable.

Number 4 Section

1. Position the headliner in vehicle and seat fully.

NOTE: If vehicle is not equipped with rear air conditioning unit, skip to step 8.

2. Install rear air unit duct work.
3. Install the rear air unit rear cover and install the three screws and push-pins.
4. Connect the electrical connector and install the middle duct work cover.

5. Install the push pin fasteners.
6. Connect the electrical connector and install the front duct work cover.
7. Install the push pin fasteners.
8. Install the third and fourth row seats. ([Refer to 23 - BODY/SEATS/SEAT - INSTALLATION](#))
9. Connect battery negative cable.