

DESCRIPTION

The antenna amplifier consists of the standard antenna for radio reception, radio, telephone and global positioning system (GPS) reception. The antenna amplifier is located on the front of the roof.

The antenna amplifier consists of the following antenna variations:

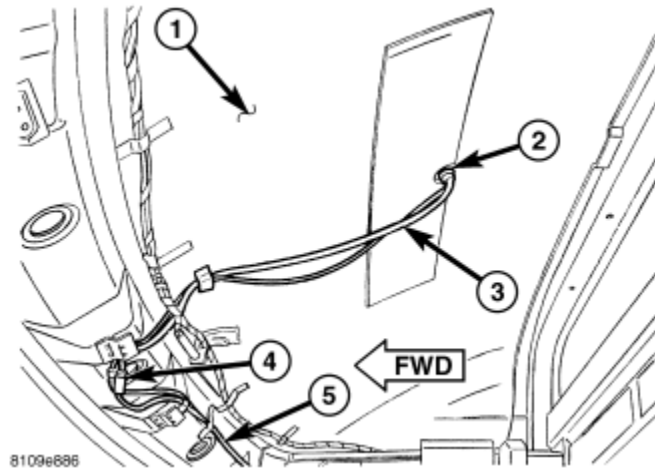
- Standard antenna for radio reception.
- Radio, telephone and global positioning system (GPS) reception.
- Radio/telephone antenna.

OPERATION

The telephone antenna, which is integrated in the antenna amplifier, transmits and receives telephone signals (data and voice output). This done by converting electromagnetic radio waves into electric voltage and vice-versa. The GPS antenna integrated in the antenna amplifier is used for receiving and for amplifying the GPS satellite signals. No signals are transmitted. The satellite signals received by the GPS antenna integrated in the antenna amplifier are amplified by the antenna amplifier. The FM/AM amplifier integrated in the antenna amplifier has the task of amplifying the signals of the radio reception antenna integrated in the antenna amplifier and relaying them to the radio.

REMOVAL

1. Disconnect and isolate the battery negative cable.
2. Remove the portion of the headliner (1) over the front seats. ([Refer to 23 - BODY/INTERIOR/HEADLINER - REMOVAL](#)).
3. Disconnect the antenna and electrical connections near the windshield (4).
4. Remove the mounting nut (2).
5. Remove the antenna assembly from the roof and pull wire harness and cable (3) through roof opening.



INSTALLATION

1. Feed wire harness and cable (3) through roof opening and position antenna to roof panel.
2. Install and tighten antenna mounting nut (2).
3. Connect the antenna and electrical connections near the windshield (4).
4. Install the headliner (1). ([Refer to 23 - BODY/INTERIOR/HEADLINER - INSTALLATION](#)).
5. Connect the battery negative cable.

