



2010 Sprinter USA Suspension Package Overview



- **A50** Axle gets a higher load rating
 - On 3500 vehicles, load capacity of the front axle increased GAWR from 4,080 lbs to 4,410 lbs.
 - Allows heavier loads on front axle

Standard GAWR	Optional GAWR
4,080 lbs	4,410 lbs

- **Recommended for e.g.:**
 - RV's
 - Armored Vehicles
 - Ambulances
 - Shuttles



- **CF2 (Standard on Chassis Cab)**



- Front and rear stabilizer to reduce vehicle roll motion, which occurs when cornering with a high center of gravity load or when axles loads are unequally distributed.
- Standard high-capacity shock absorbers and springs provide flexibility for weight distribution. Never exceed the maximum tire or axle loads.
- An optional high capacity front axle (A50), can be fitted.

Recommended for:



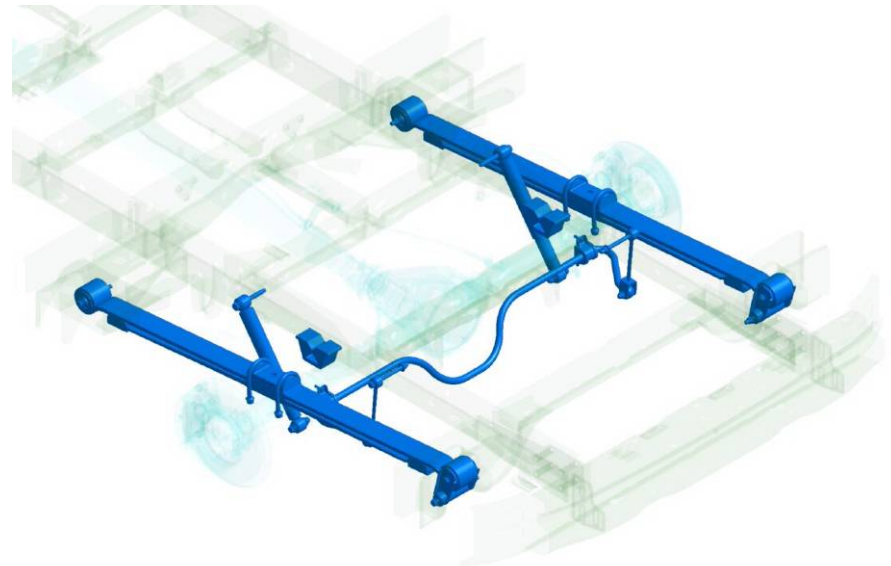
Chassis Cab

- Platform Bodies
- Stake Bodies



Cargo Van

- Ambulance



• CF3

- Enhanced roll stabilization by modifying torsion bar diameter
- Improved handling for vehicle with higher center of gravity.
- Reduction of roll angle in turns.
- An optional high capacity front axle (A50), can be fitted.

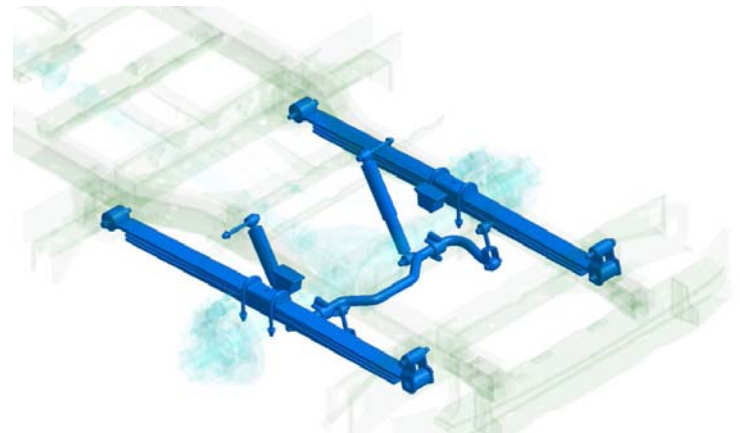


Recommended for:



Chassis Cab

- Refrigerator Vehicles with built-in shelving.
- Car Transporter



• CF4

- Option code CF4 includes reinforced front and rear stabilizer bars, optimized front shock absorbers and suspension.
- Higher-capacity stabilizers reduce further the roll angle.
- An optional high capacity front axle (A50), can be fitted.



Recommended for:



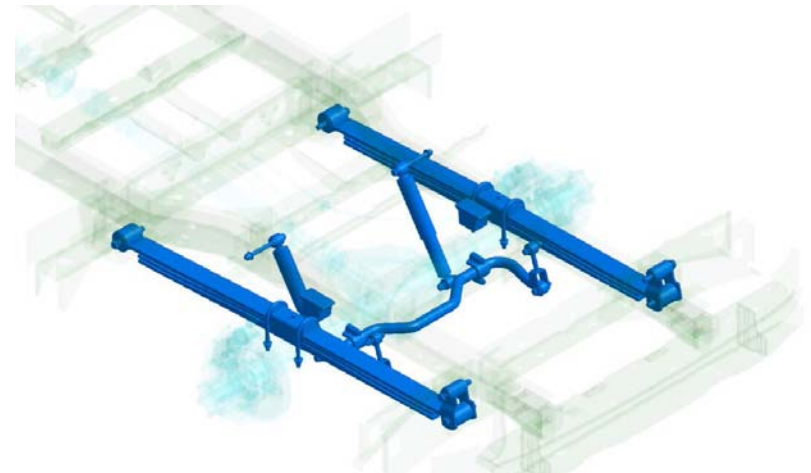
Chassis Cab

- Ambulance
- Armored Vehicles
- Shuttle Bus
- Box Body
- Refrigeration Vehicle



Cargo Van

- Shuttle Bus
- Refrigeration Vehicle
- Armored Vehicles
- Tail lift
- Mobile work shops
- RV's on cargo van



- **CF5 (available on Chassis Cab only)**
 - Same as CF4, plus a harder single stage rear springs.
 - An optional high capacity front axle (A50), can be fitted.
 - Improved handling for vehicles with high center of gravity.
 - Reduction of roll angle.



Recommended for:



Chassis Cab

- RV's
- Box Bodies with Tail Lift
- (vehicles with high center of gravity will benefit)

